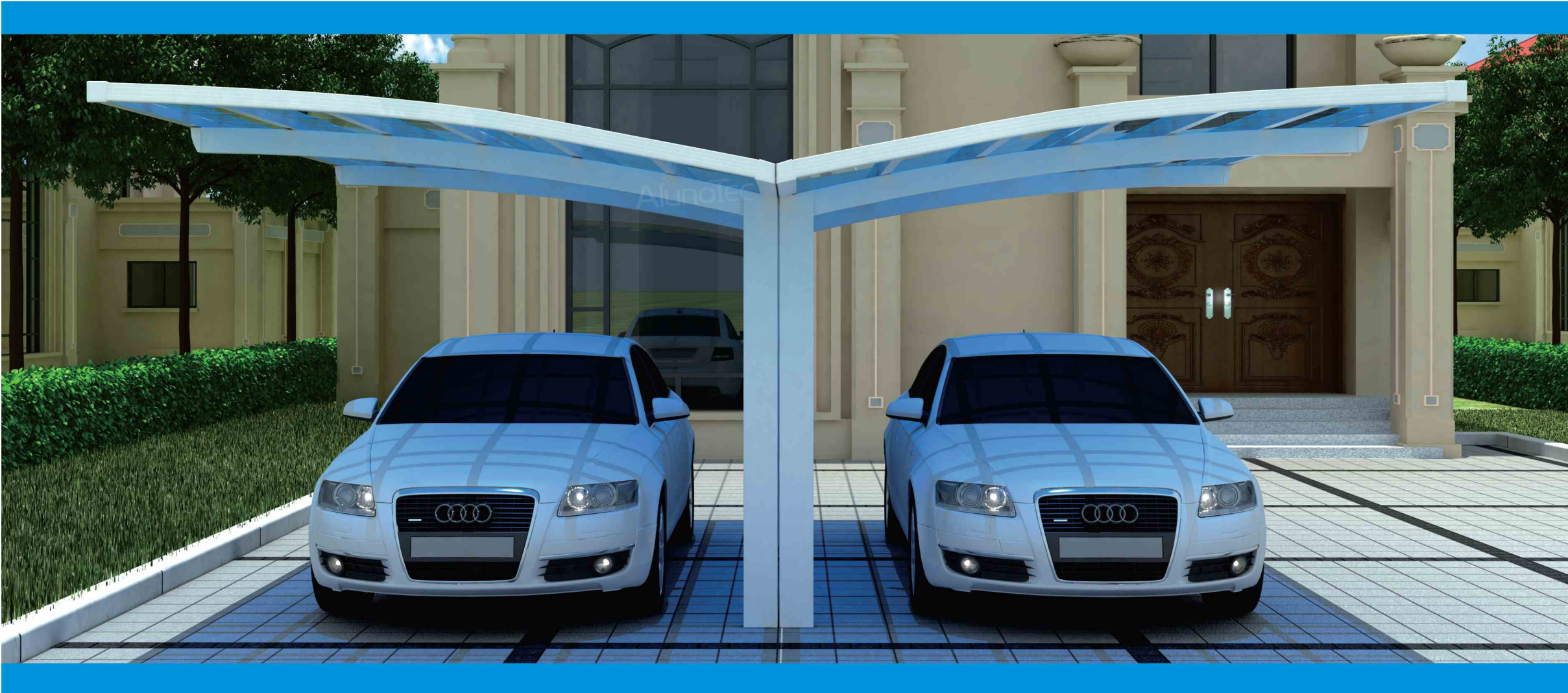


OUTDOOR CARPORT / AWNING

AlunoTec®

Aluno Building Material Co., Limited



The team you trust
The products you count on

COMPANY PROFILE

Who We Are

As a highly specialized manufacturer&exporter of building materials, Alunotec has been engaged in the aluminum products industry since 2006, offering clients globally Carport & Awning, Decoration panel, motorised pergola louvered roofs, aluminium louvre window frame, aluminium shutter&louvres, aluminium windows and doors, window&door accessories. Alunotec continues to invest heavily in customer care and product development in order to equip our customers with the advice and market leading products they need to succeed in today's market.

Our Mission

We seek to establish working relationships with our customers through commitment, communication and teamwork.

Our Vision

We strive to become our customers "preferred choice". This vision is underpinned by the company's core values, values which have developed over the years and which are fundamental to the way in which Alunotec operates.

Our Core Values

- Client Focused – Our company possesses a customer-first mentality. It's not just something we say because it's trendy or sounds good. It really is something we believe – from the top management team down to our front line.
- Customer Experience – Our top priority is providing superior service. We strive to meet our clients' needs on projects of all sizes, by providing our services, our solutions, our knowledge of the products and our long-term commitment to customer satisfaction.
- Competitive Pricing – We are committed to offering clients the best prices without sacrificing service or quality. Our industry experience, product knowledge, superior service and creative support staff guarantee our clients receive the best solutions at the best price.

CERTIFICATE REPORT

国家防火建筑材料质量监督检验中心 检验报告			
报告编号: 201512319	共 4 页 第 1 页		
产品名称: 微碳酚醛实心板	型号规格: 透明 厚度3mm	商 标: MAKROLON	
委托单位: 拜耳材料科技(中国)有限公司	检验类别: 委托检验		
生产单位: 拜耳材料科技(中国)有限公司	抽样基数: /		
送检单位: 拜耳材料科技(中国)有限公司	抽样日期: /		
抽样地点: /	抽样日期: 2015.11.19		
检验地点: 本中心	检验日期: 2015.12.14~2016.01.08		
样品数量: 14.22m ²	样品编号: 201512319		
检验依据: GB 8624-2012《建筑材料及制品燃烧性能分级》、GB/T 2406.2-2009《塑料用氧指数法测定燃烧行为 第2部分: 氧指数试验》			
检验项目: 燃烧性能B ₁ 级、氧指数			
检验结论:	<p>经检验,该制品燃烧性能符合B₁-2、B₁-0、t1级的规定要求。</p> <p>按GB 8624-2012判定,该制品燃烧性能达到B₁-2、B₁-0、t1级。</p> <p>按GB/T 2406.2-2009判定,该制品氧指数为30.5%。</p> <p>(以下空白)</p>		
备注:	<p>本报告仅对所承检项目负责。</p> <p>本报告分级结果在该制品背面无基材的条件下有效。</p>		
批准: [Signature]	审核: [Signature]	编制: [Signature]	签发日期: 2016年1月11日

MA 国家化学建筑材料测试中心 (材料测试部) CNAS			
报告编号: 2016XJ04126	共 2 页 第 1 页		
委托单位: 科思创聚合物(中国)有限公司	检验类别: 委托检验		
生产单位: 广州科思创聚合物有限公司	生产日期: /		
样品名称: Makrolon Solid UV 6mm Clear 1000	注册商标: Makrolon		
样品规格: 6mm 厚	样品外观及制备: 透明板材 机加工制件		
抽样基数: /	样品编号: /		
抽样数量: /	产品编号: /		
封样地点: /	委托日期: 2016.03.23		
封样单位: /	封样日期: /		
检验结论:	<p>所检样品按照 JG/T 347-2012 "聚碳酸酯(PC)实心板" 进行检验。</p> <p>检验结果详见第 2 页。</p>		
备注:			
批准: [Signature]	审核: [Signature]		签发日期: 2016年04月29日



CONTENTS

01 / Main Products

03 / 6 Benefits To Install Carport
Features Of Materials

04 / A6 Single Carport
M Type Carport

06 / Back Pull Carport
Side Pull Carport

08 / Solar Carport

09 / Color Options
Project Case

11 / Display

12 / R Type Window Awning
R Type Terrace Awning

14 / Color Options
Project Case

CARPORT



Main Products



A6 Single Carport



Side Pull Carport



M Type Carport



Back Pul Carport



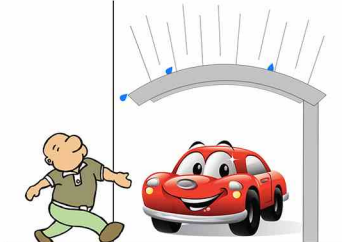
6 Benefits To Install Carport

Features Of Materials



Protect car from wind and rain

It keeps car from rust and dust, last the car paint and life, to keep the car wellmaintained.



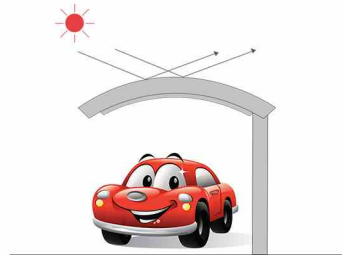
Convenient to get in and out especially in the bad weather

No need to worry about getting wet and loading baggage.



Strong roof sheet to provide your car a safer parking

The polycarbonate roof have strong impact strength, to prevent the car from destroying by falling objects.



To let the light in, but cut off the UV

It cuts off 100% harmful UV, to protect the car paint from bleaching.



Prevent from frosting and snowing

Good snow loading capacity to make your car safe and clean even in heavy snowy day.



Protect your car from temperature rising

It protects your car from direct sunlight and keeps your car a cooler inside temperature.

Cut off 98% UV, and protect people or vehicle from harmful UV rays.



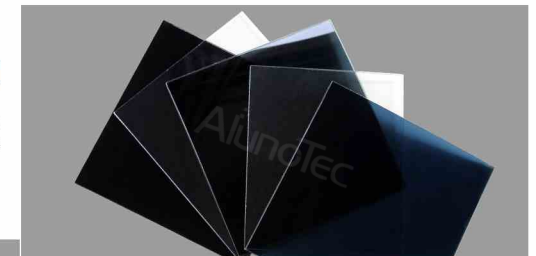
It cuts off heat ray transmission by 75% and lower the interior temperature when a car is parked under the polycarbonate roof.



Choose Us, Choose Professional

Panel

Polycarbonate roof are made of Germany Bayer Material which can use more than 10 years



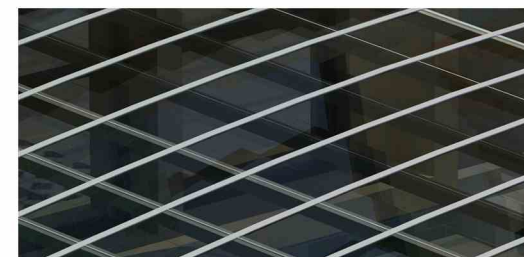
Aluminum

Use highy quality and environmental-friendly Alunminum which fulfills with the international standard



Snow load and wind load

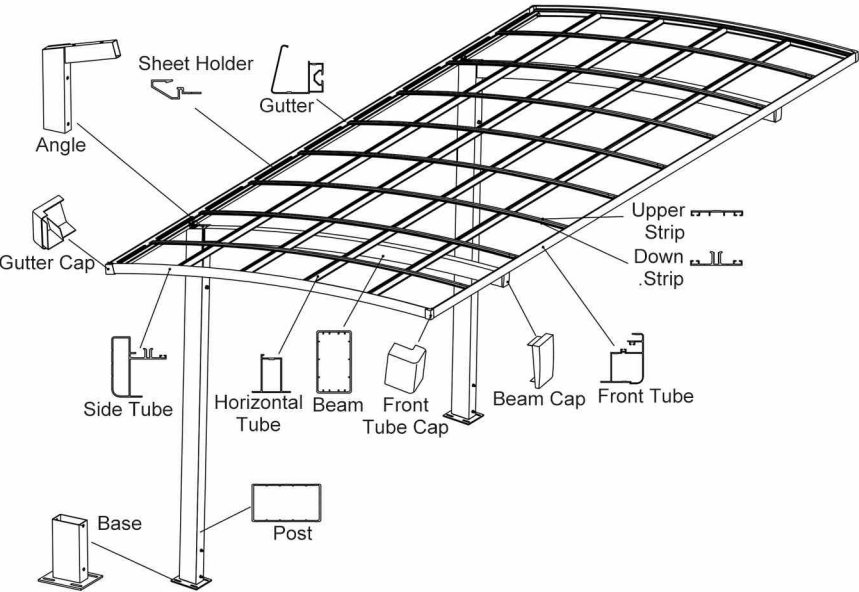
Aluminum alloy structure and the combination of polycarbonate plate can load 20-50 cm snow. Resistance to 36m / s strong wind, significantly improve its wind resistance.



UV Resistance

There is Co-extrusion UV on the surface which can effectively block more than 98% UV rays.

A6 Single Carport

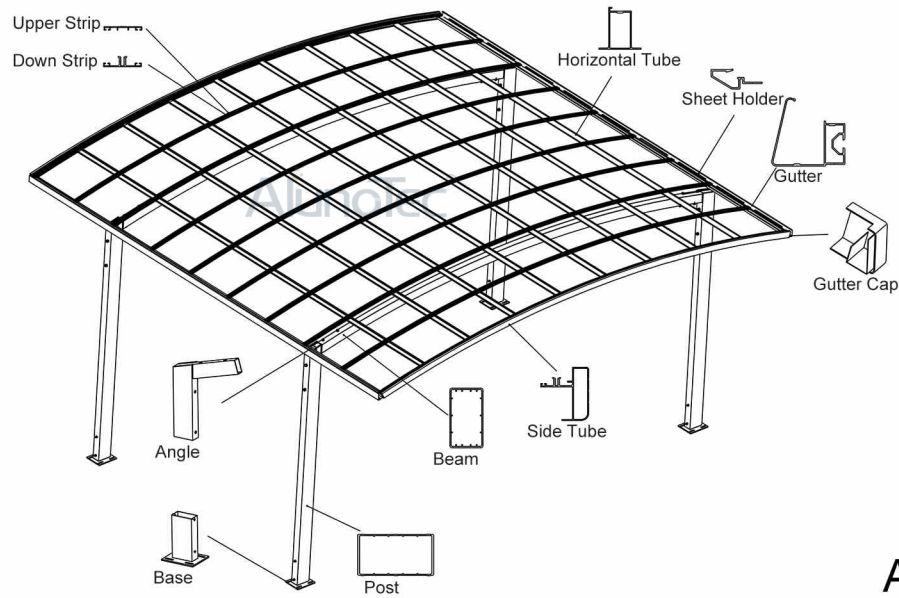


ALN-A6

Standard Size	5500 x 3000 x 2400/3000mm
Roof Material	Germany Bayer Polycarbonated Sheet
Color Options for Frame	White, Purple, Grey, Champagne
Color Options for Roof	Light/Dark Grey, Blue, Clear
Snow load	20-50cm
Window load	36m/s
Installation Way	Fixed on concrete ground or bury into the ground



M Type Carport

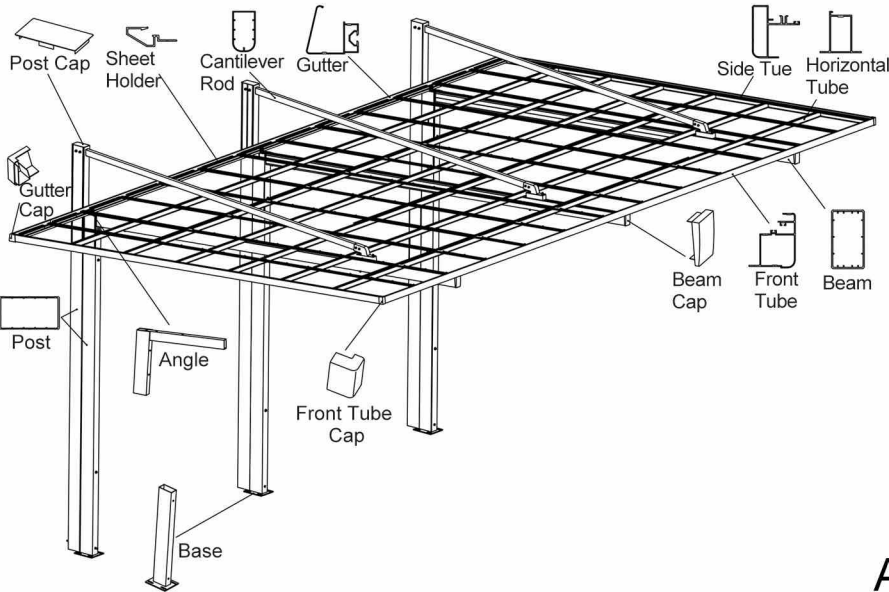


ALN-MT

Standard Size	5500 x 6000 x 2400/3000mm, 5500 x 5600 x 2400/3000
Roof Material	Germany Bayer Polycarbonated Sheet
Color Options for Frame	White, Purple, Grey, Champagne
Color Options for Roof	Light/Dark Grey, Blue, Clear
Snow load	20-50cm
Window load	36m/s
Installation Way	Fixed on concrete ground or bury into the ground



Back Pull Carport

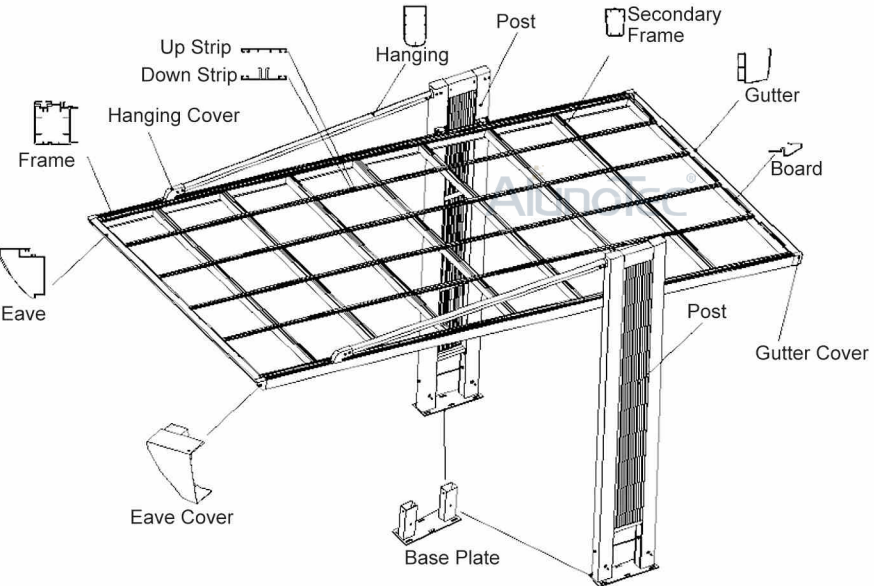


ALN-BP

Standard Size	3000 x 5500 x 2400mm
Roof Material	Germany Bayer Polycarbonated Sheet
Color Options for Frame	White, Purple,Grey, Champagne
Color Options for Roof	Light/Dark Grey, Blue, Clear
Snow load	20-50cm
Window load	36m/s
Installation Way	Bury into the ground



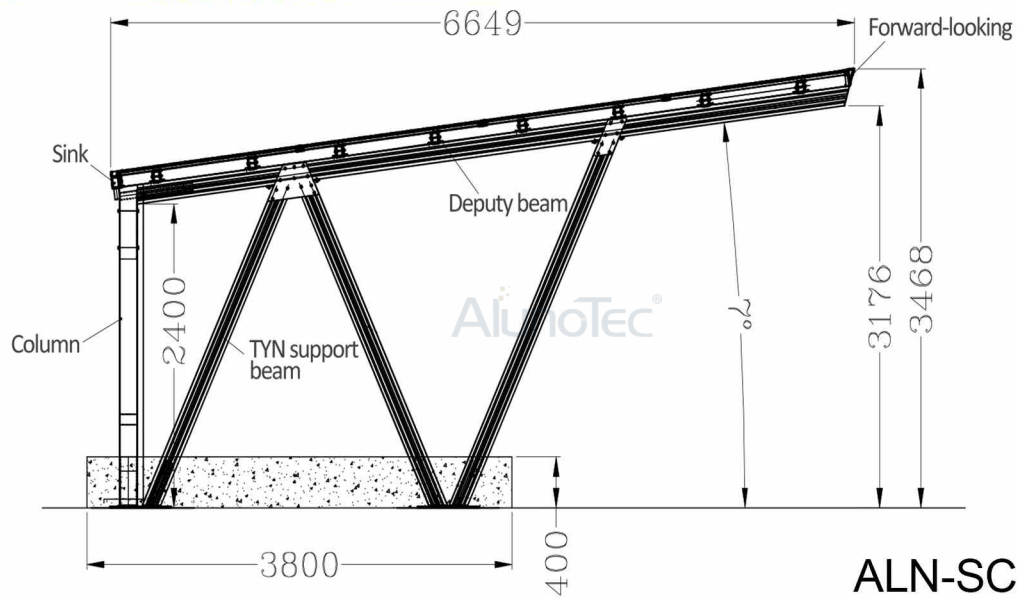
Side Pull Carport



ALN-SP

Standard Size	3000 x 5500 x 2200mm
Roof Material	Germany Bayer Polycarbonated Sheet
Color Options for Frame	Champagne
Color Options for Roof	Light/Dark Grey, Blue, Clear
Snow load	20-50cm
Window load	36m/s
Installation Way	Bury into the ground





ALN-SC

Standard Size	4057 x 6649 x 2400mm
Roof Material	Solar Panel
Color Options for Frame	Grey
Color Options for Roof	Grey
Snow load	50cm
Window load	40m/s
Installation Way	Bury into the ground
Features	Anti ging \ Wind and snow resistant \ Thermal insulation and waterproof \ Easily drainage \ Stable electricity \ Unique carport roof structure \ Elegant design \ Assembly structure



Plycarbonate Sheet



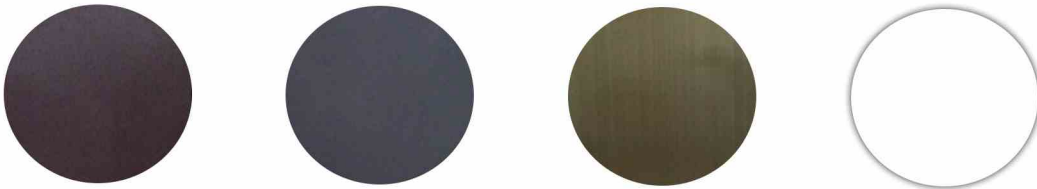
Dark Grey

Light Grey

Blue

Clear

Aluminum Structure



Puple

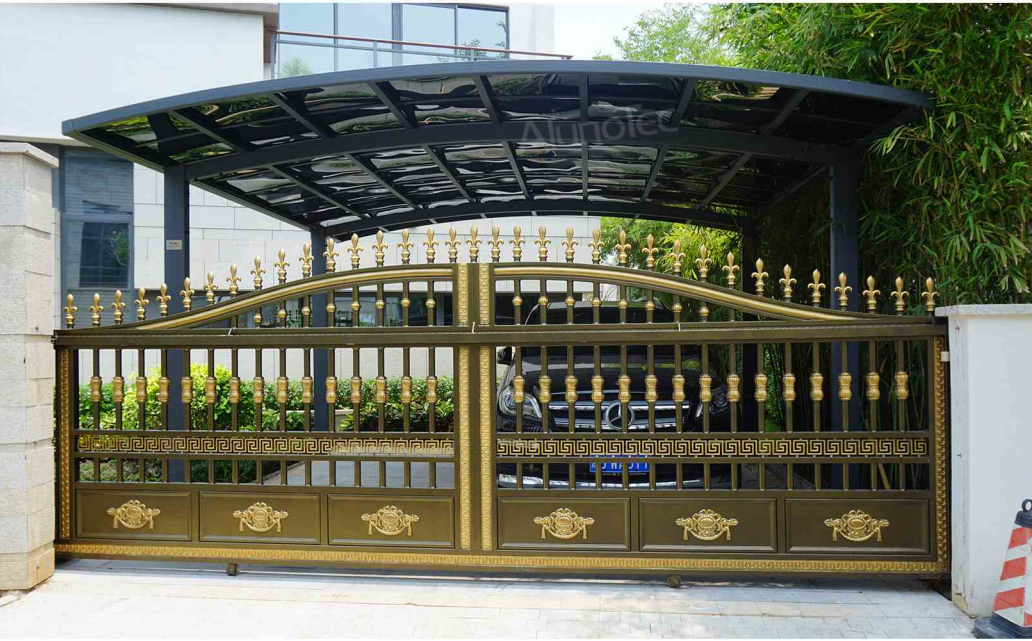
Grey

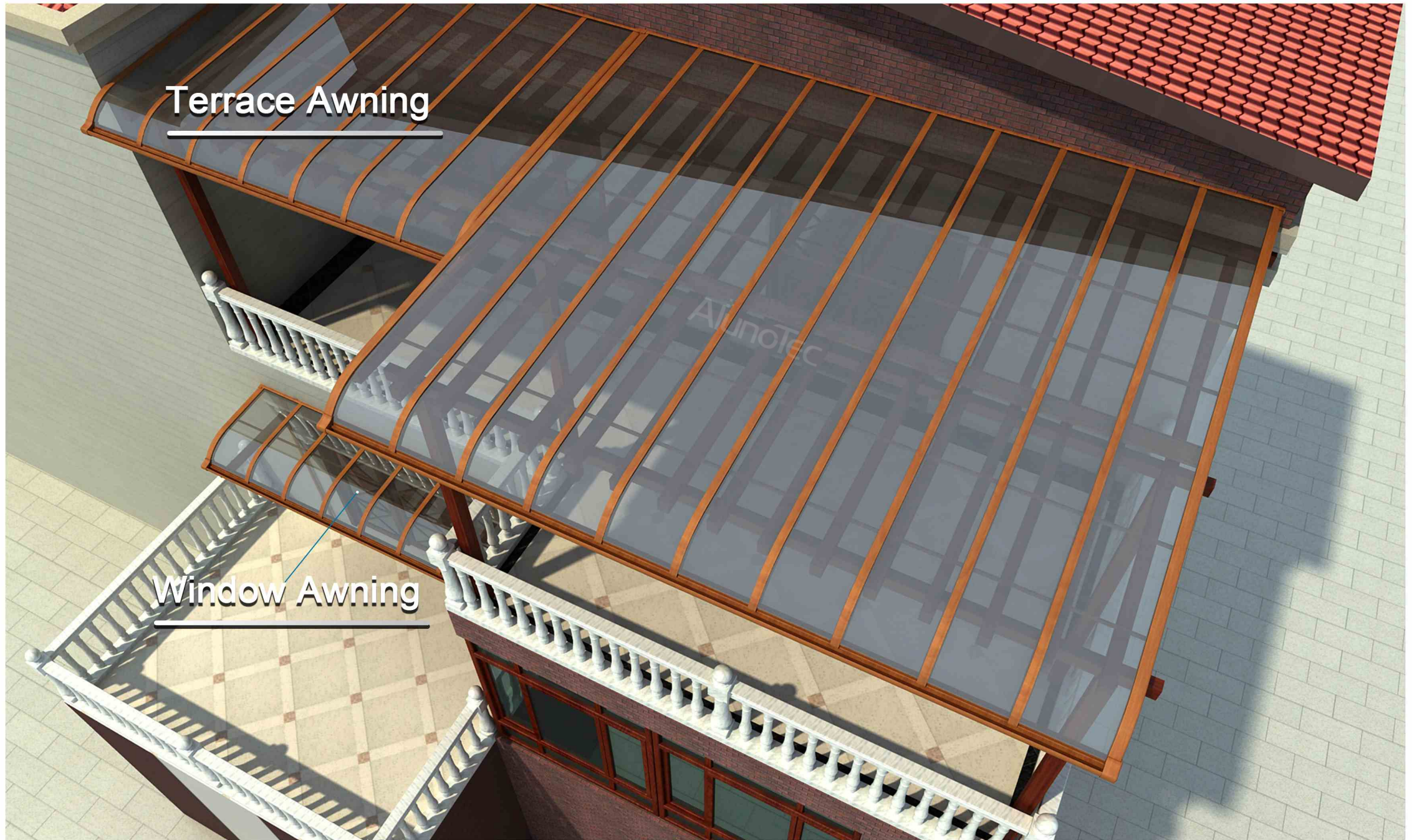
Champagne

White

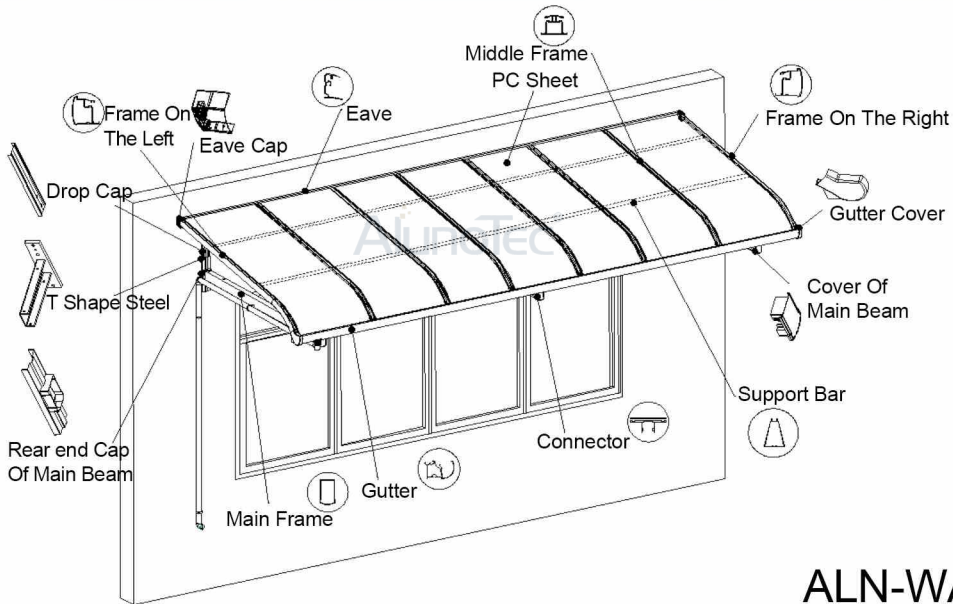
Project Case







R Type Window Awning

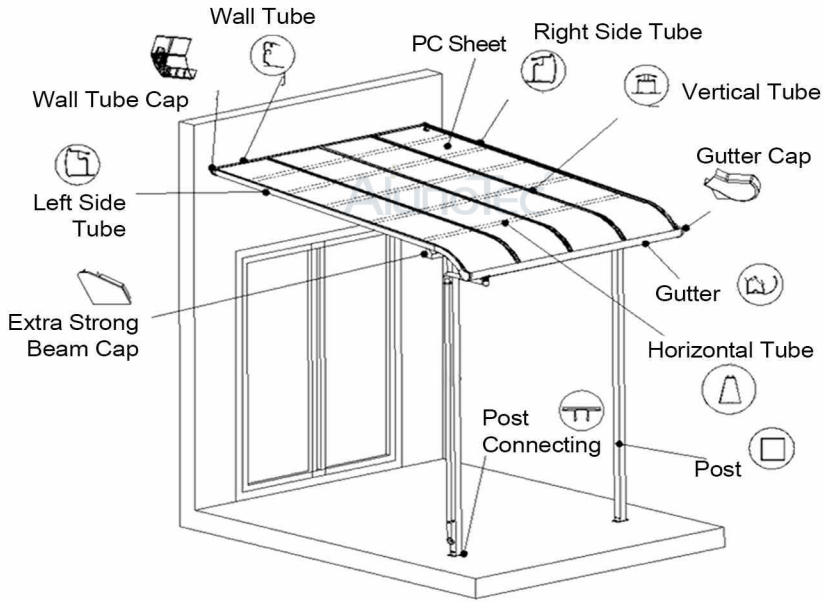


ALN-WA

Standard Size	Customized
Roof Material	Germany Bayer Polycarbonated Sheet
Color Options for Frame	White, Purple, Grey, Champagne
Color Options for Roof	Light/Dark Grey, Blue, Clear
Snow load	20-50cm
Window load	36m/s
Installation Way	Fixed on concrete ground or bury into the ground



R Type Terrace Awning



ALN-TA

Standard Size	Customized
Roof Material	Germany Bayer Polycarbonated Sheet
Color Options for Frame	White, Purple,Grey, Champagne
Color Options for Roof	Light/Dark Grey, Blue, Clear
Snow load	20-50cm
Window load	36m/s
Installation Way	Fixed on concrete ground or bury into the ground



Plycarbonate Sheet



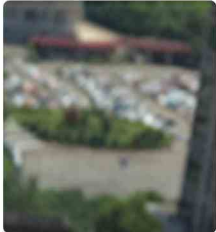
Dark Grey



Light Grey



Blue



Clear

Aluminum Structure



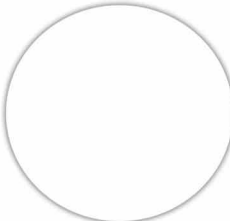
Purple



Grey



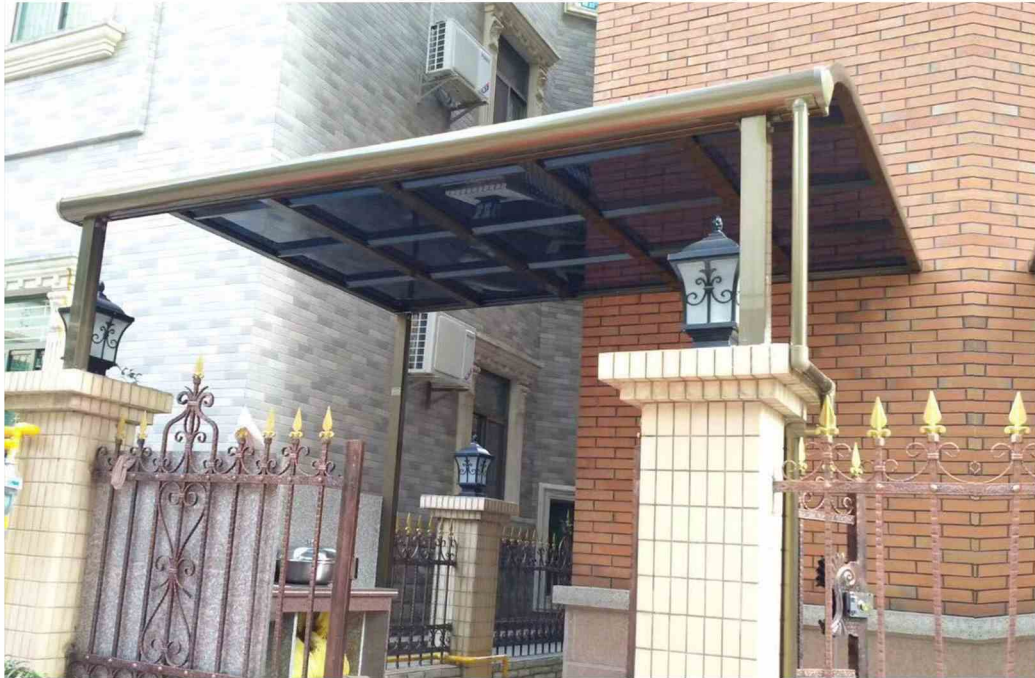
Champagne



White

Project Case







Tel: +86-769-88776226
Web: www.alunotec.com
Email: info@alunobuilding.com
Add: Building D, Peace Square, Nancheng District,
Dongguan, Guangdong, China



The team you trust
The products you count on